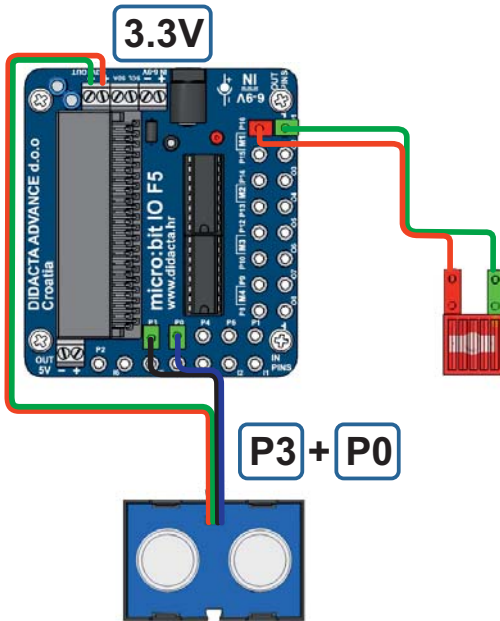


Ultrasound sensor 3.3V.



PROGRAM SAMPLE:

You need to add **SONAR** package.

