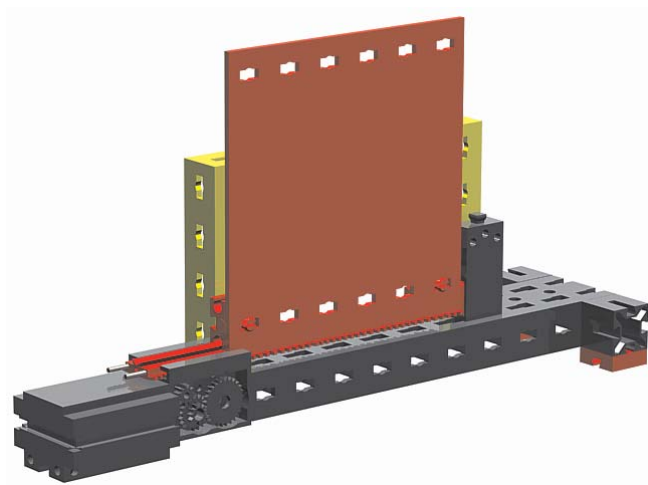


KLIZNA VRATA

KLIZNA VRATA



40000 Čakovec,
T. Goričanca 2
tel: 040/364-445
fax:040/364-230

WEB: <http://www.didakta.hr>
E-mail: didakta@ck.t-com.hr

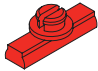
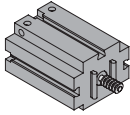
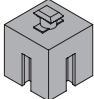
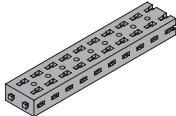
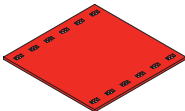
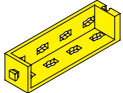
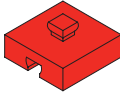
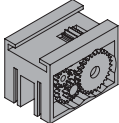
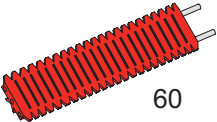
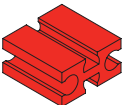
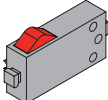
fischertechnik 

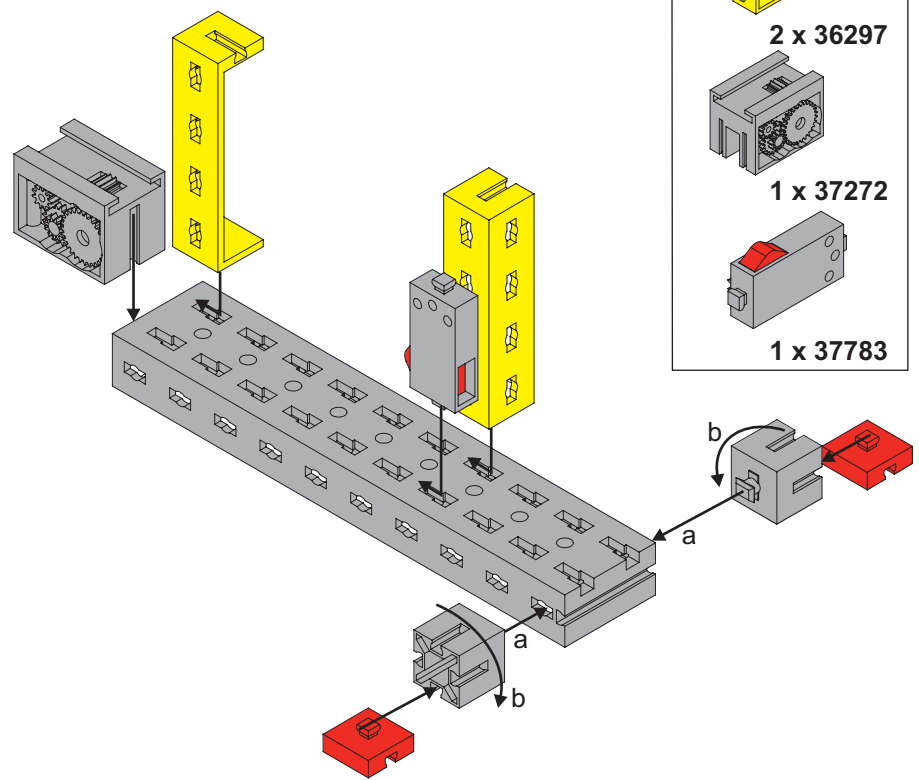
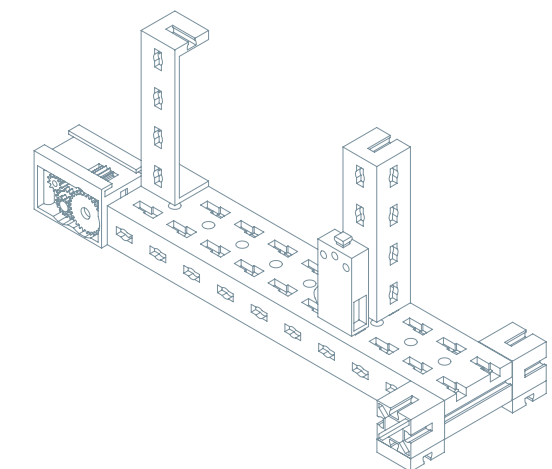
66

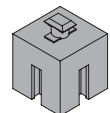
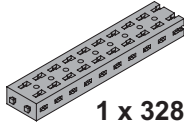
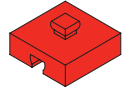
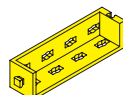
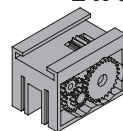
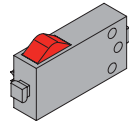
66

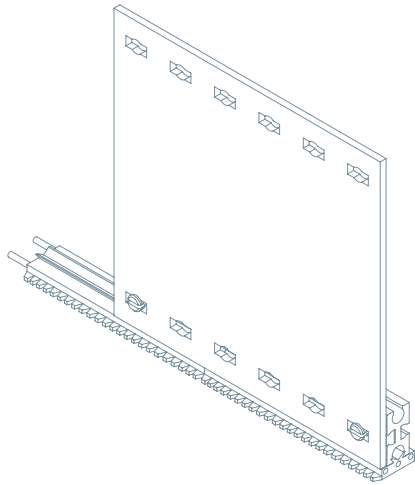
KLIZNA VRATA

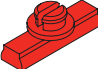
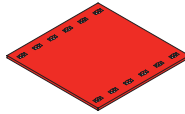
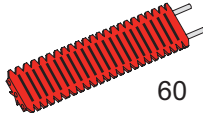
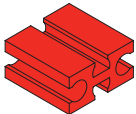
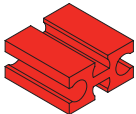
ELEMENTI

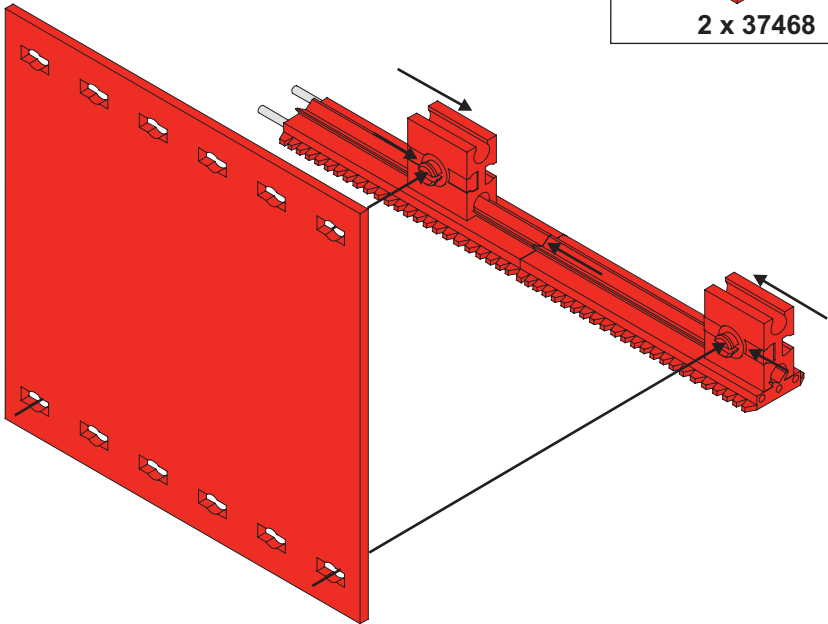
2		31848	
1		32293	
2		32850	
1		32854	
1		35431	
2		36297	
2		37237	
1		37272	
2	 60	37351	
2		37468	
1		37783	

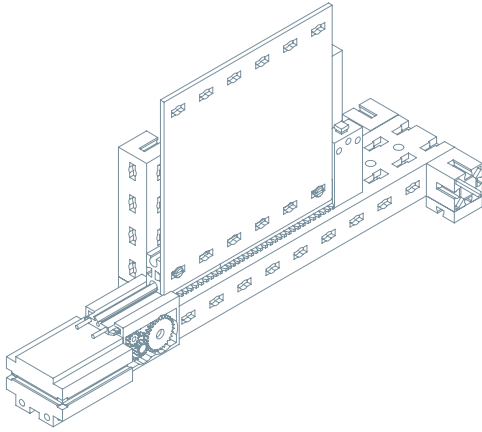


- 1**
- 
2 x 32850
 - 
1 x 32854
 - 
2 x 37237
 - 
2 x 36297
 - 
1 x 37272
 - 
1 x 37783

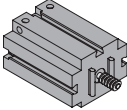


- 2**  **2 x 31848**
-  **1 x 35431**
-  **60**
- 2 x 37351** 
- 2 x 37468** 





3



1 x 32293

A rectangular grey component with a gear-like feature on its side. It has a series of rectangular holes along its top edge and a small protrusion on its right side. The component is shown in a 3D perspective view.