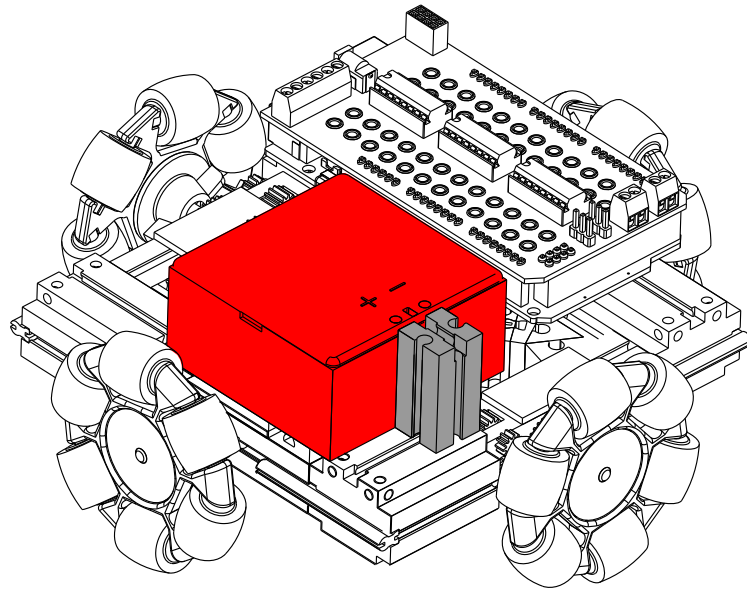


**OMNI CAR - Arduino Mega**  
**mounting the ACU battery (not included)**

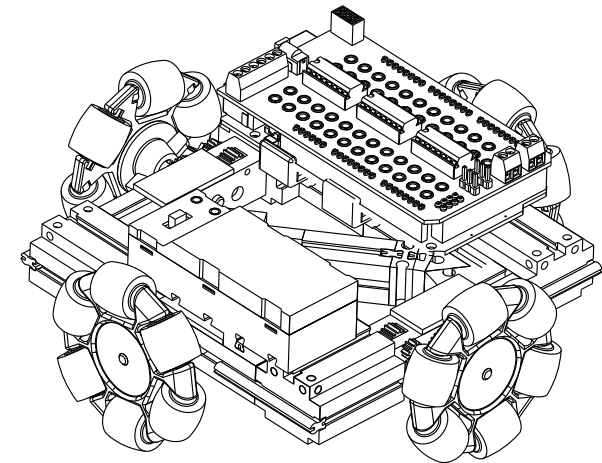
9



OMNI CAR - Arduino Mega

**fischertechnik** 

OMNI CAR - Arduino Mega

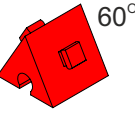
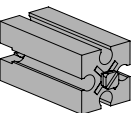
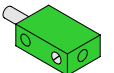
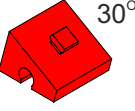
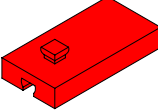
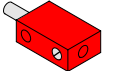
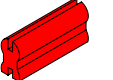
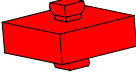
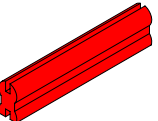
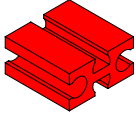
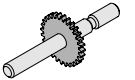
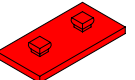
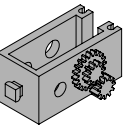
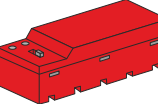
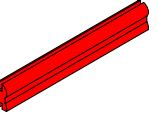
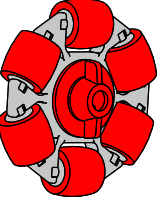
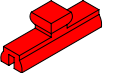
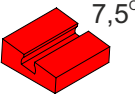
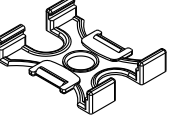
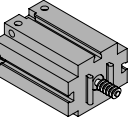
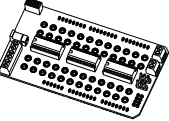


 **didacta**  
**advance**

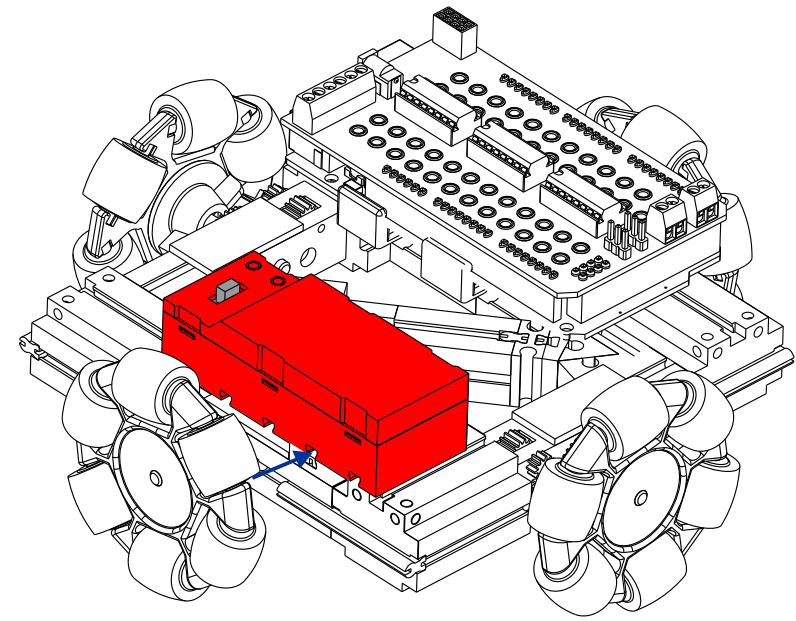
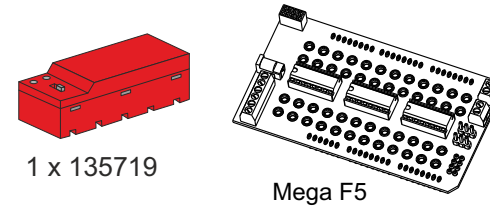
Travnička 18, 40000 Čakovec , Croatia (EU)  
[www.didacta.hr](http://www.didacta.hr)

# OMNI CAR - Arduino Mega

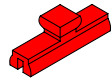
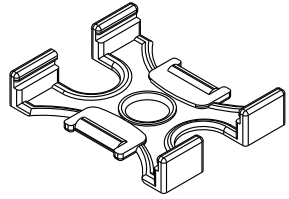
## ELEMENTI

2		31010	9		32879	9		31336
2		31011	2		35049	9		31337
1		31060	2		37238			
1		31061	5		37468			
4		31064	4		38241			
4		31078	1		135719			
4		31330	4		Omni wheel			
5		31982						
2		32071	1		Arduino holder			
4		32293	1		Mega F5			

# OMNI CAR - Arduino Mega



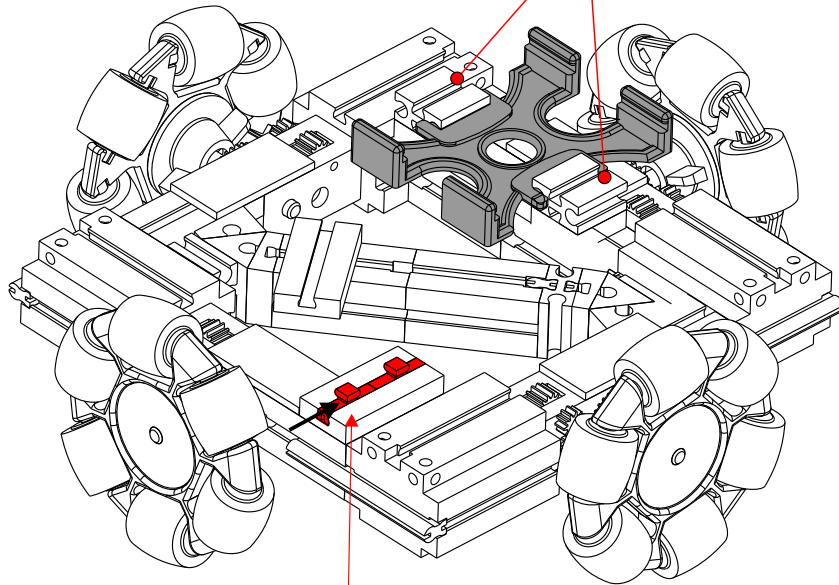
# OMNI CAR - Arduino Mega



2x 31982

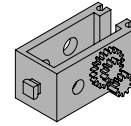
holder for Arduino Mega F5/T5

adjust the distance of this parts (37468) and mount holder

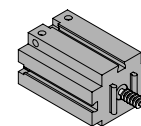


to use 9V battery box (135719) these parts need to be mounted (31982)

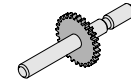
# OMNI CAR - Arduino Mega



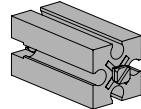
4x 31078



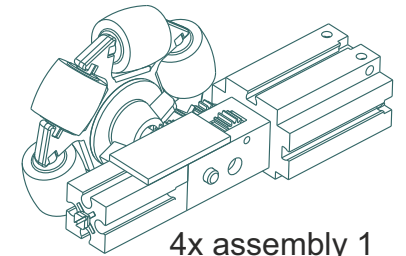
4x 32293



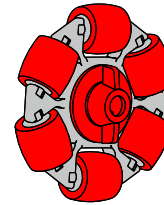
4x 31064



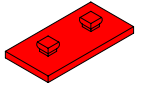
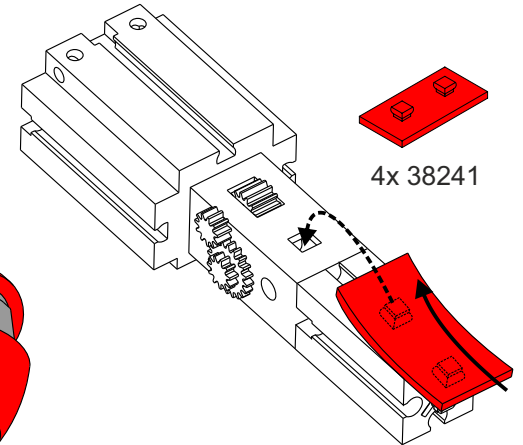
4x 32879



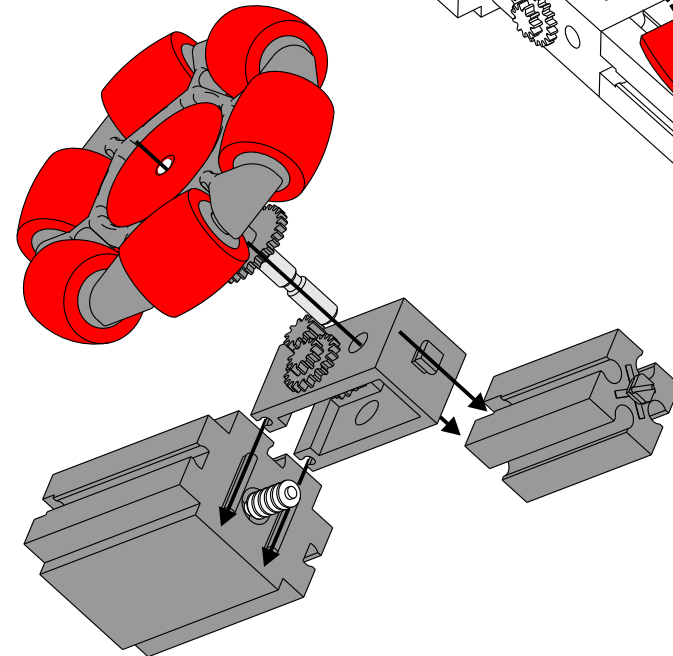
4x assembly 1



4x omni wheel



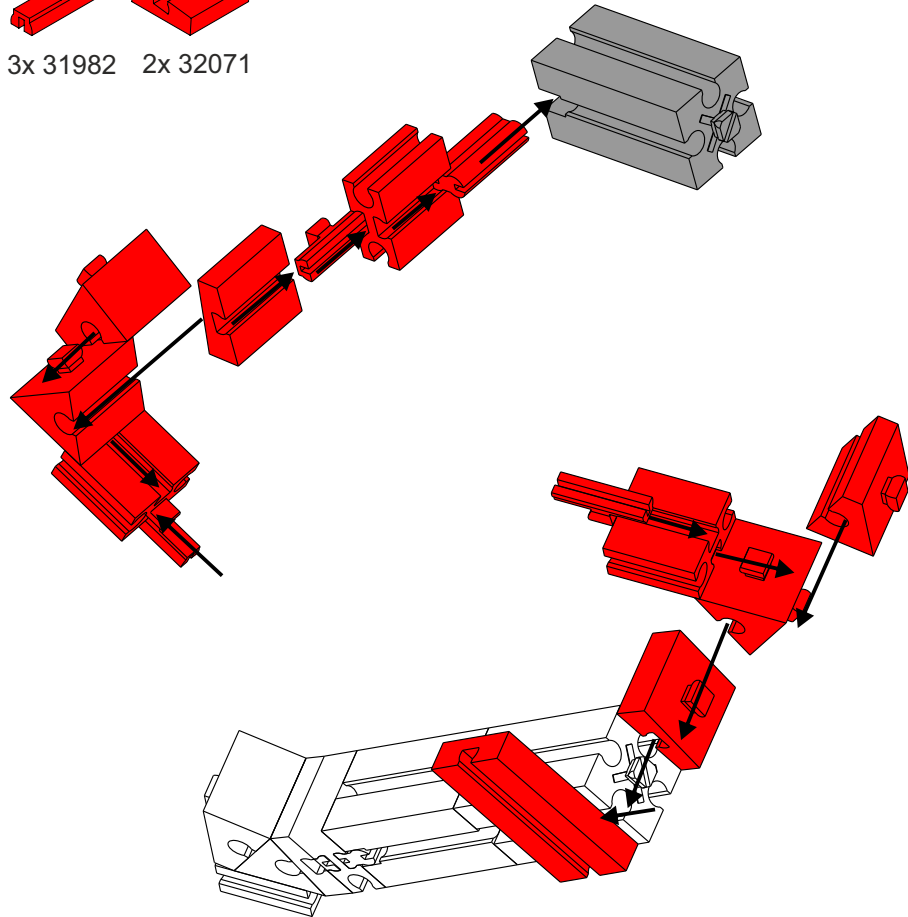
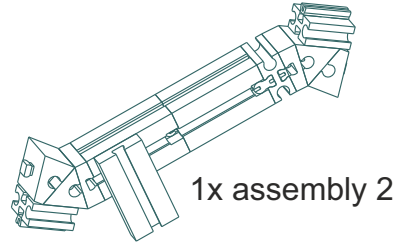
4x 38241



# OMNI CAR - Arduino Mega

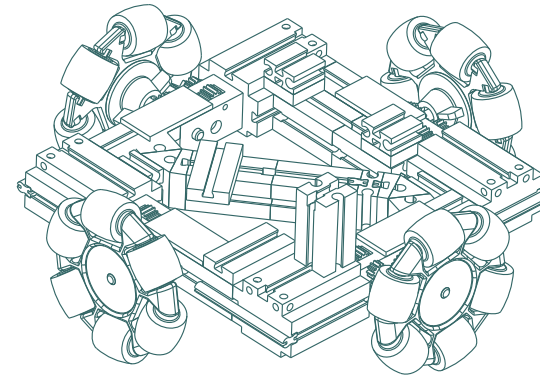
2

- 3x 37468
- 2x 31011 30°
- 2x 31010 60°
- 2x 32879
- 1x 31060
- 1x 35049 7,5°
- 3x 31982
- 2x 32071

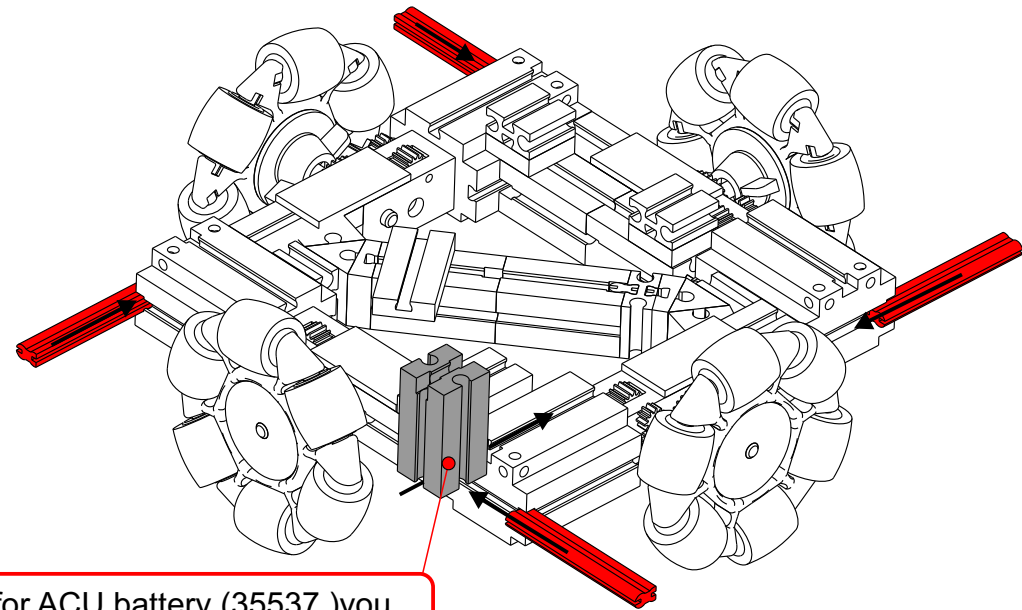


# OMNI CAR - Arduino Mega

7



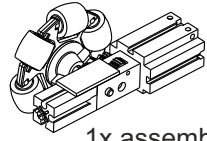
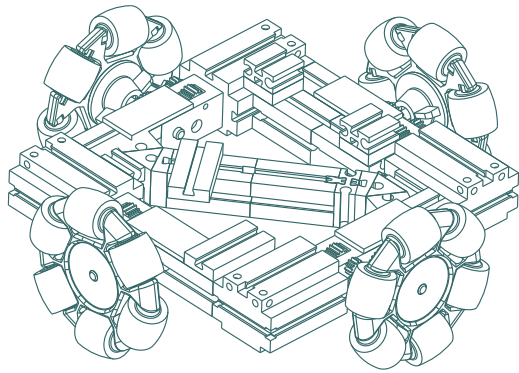
- 1x 32879
- 4x 31330



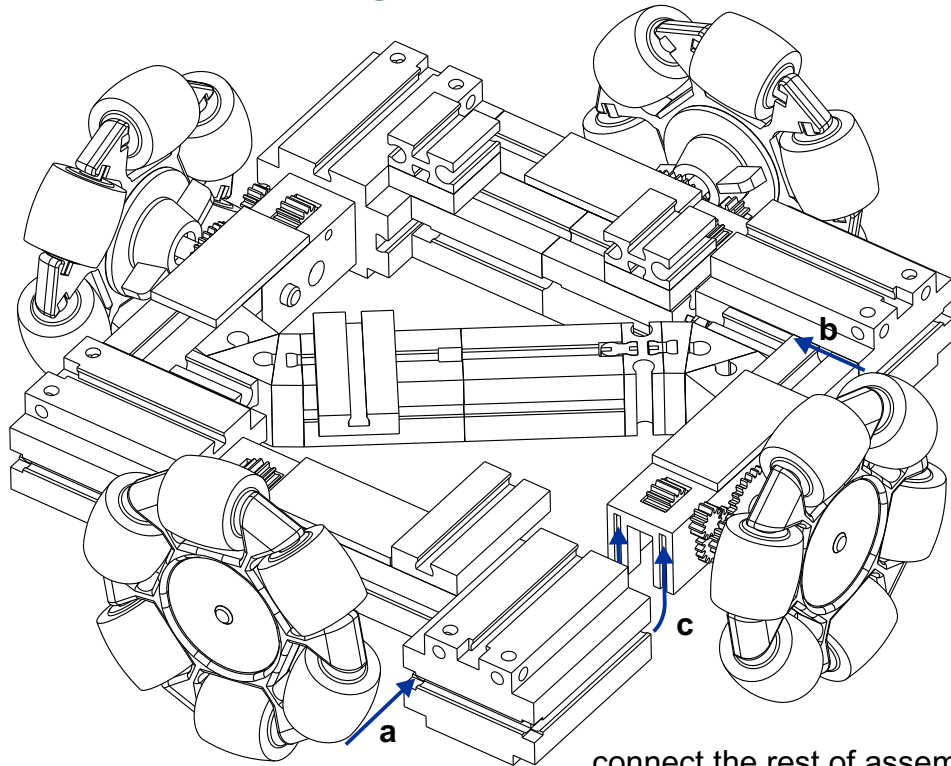
for ACU battery (35537 )you need mount this part (32879)

# OMNI CAR - Arduino Mega

6



1x assembly 1



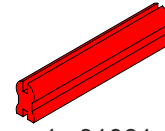
disconnect the motor from assembly 1 and connect it to the construction (a)

connect the rest of assembly 1 to construction (b) and then a little bend the structure and join gearbox with motor (c)

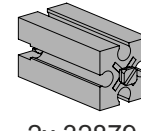
# OMNI CAR - Arduino Mega

3

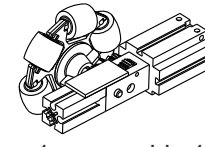
## ASSEMBLY



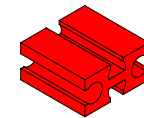
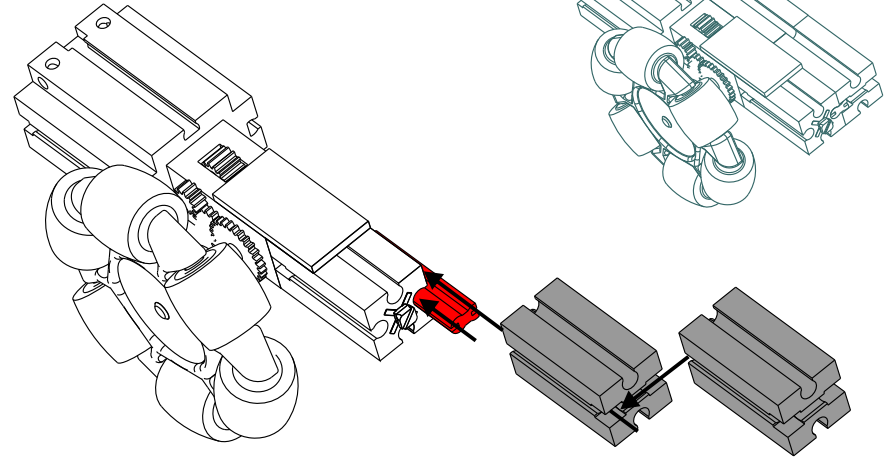
1x 31061



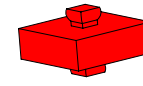
2x 32879



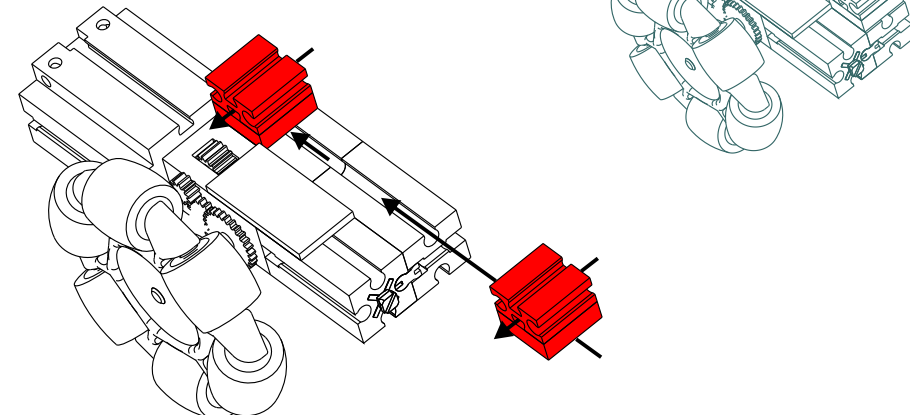
1x assembly 1

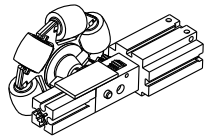


2x 37468

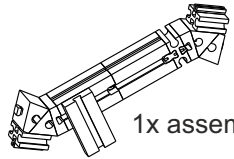


2x 37238

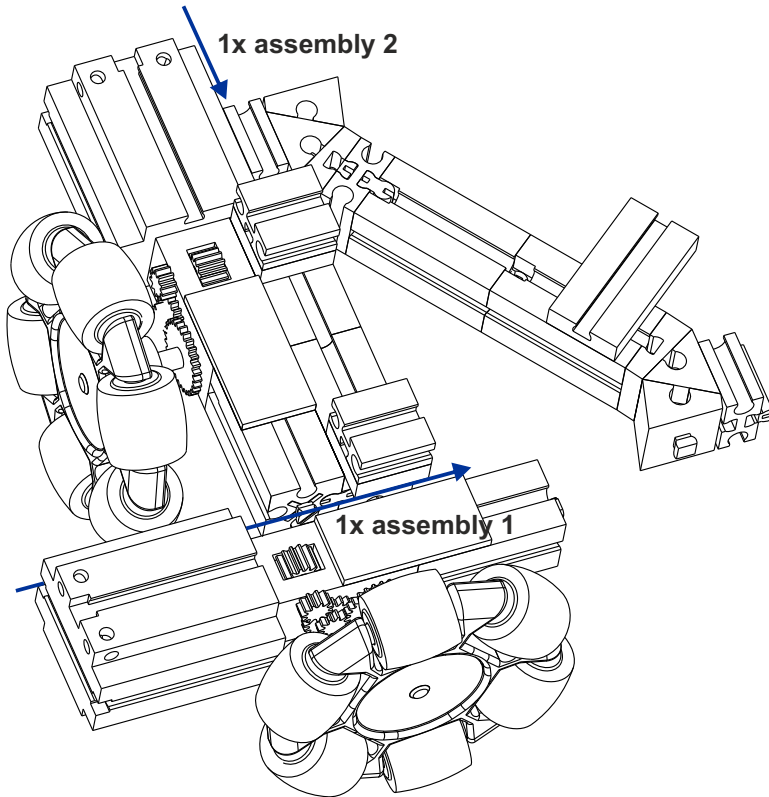
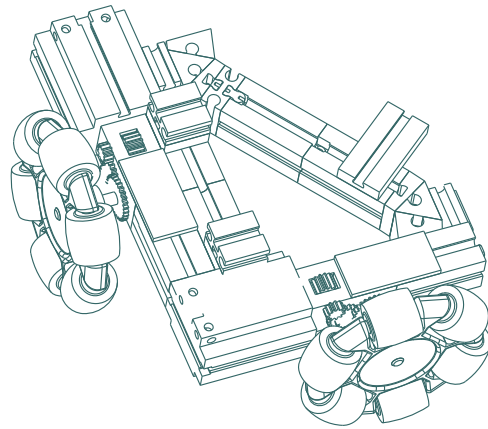




1x assembly 1

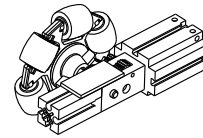


1x assembly 2

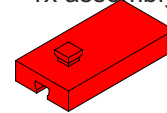


1x assembly 2

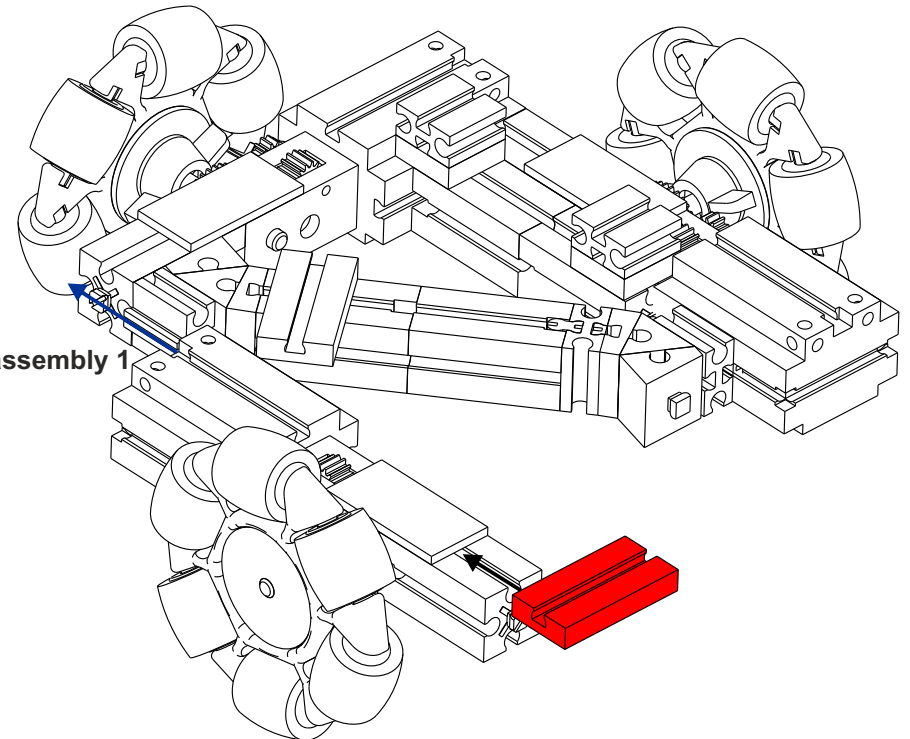
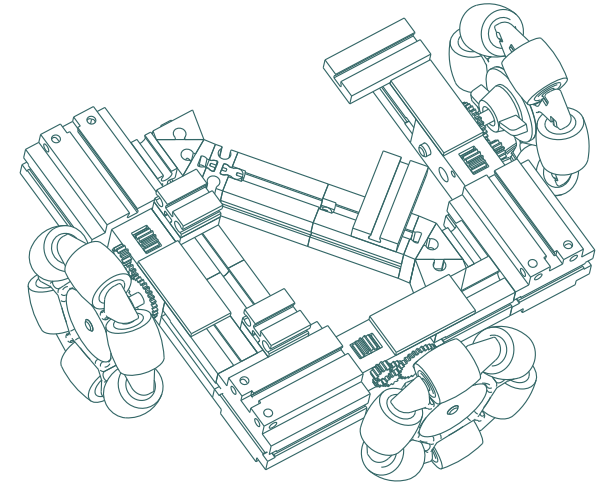
1x assembly 1



1x assembly 1



1x 35049



1x assembly 1