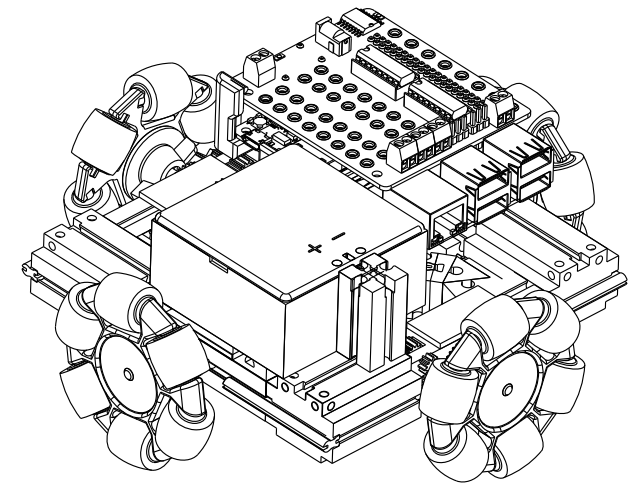


OMNI CAR - Raspberry Pi

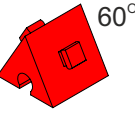
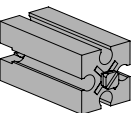
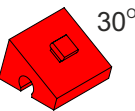
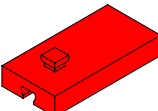
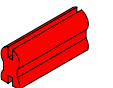
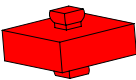
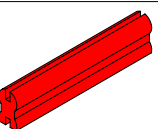
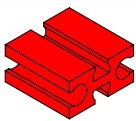
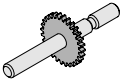
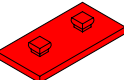
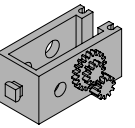
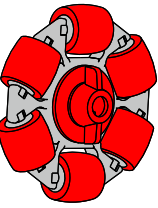
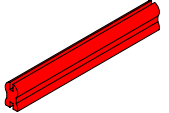
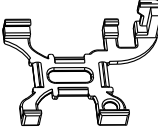
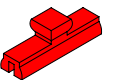

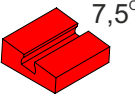
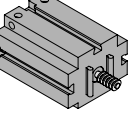


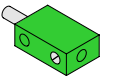
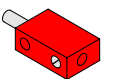
 didacta  
advance

Travnička 18, 40000 Čakovec , Croatia (EU)  
[www.didacta.hr](http://www.didacta.hr)

# OMNI CAR - Raspberry Pi

## PARTS LIST

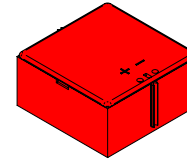
2	 60°	31010	9		32879
2	 30°	31011	2		35049
1		31060	2		37238
1		31061	5		37468
4		31064	4		38241
4		31078	4		
4		31330	1		3B 3A Zero
5		31982	1		Pi F5
2	 7,5°	32071			
4		32293			

9		31336
9		31337

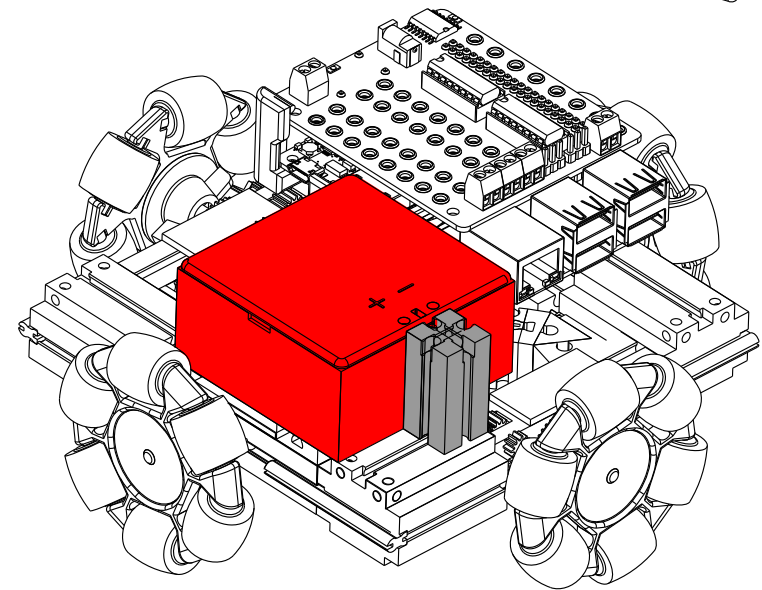
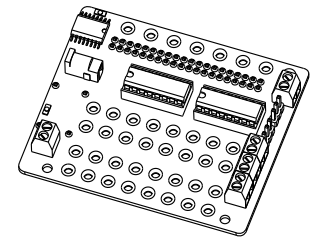
Minimum required with the set:  
ACU battery (35537) or  
ACU SET (34969)

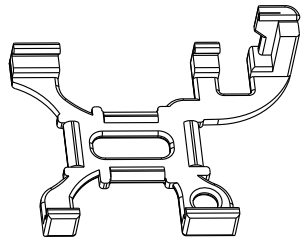
# OMNI CAR - Raspberry Pi

## mounting the ACU battery (not included)



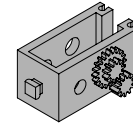
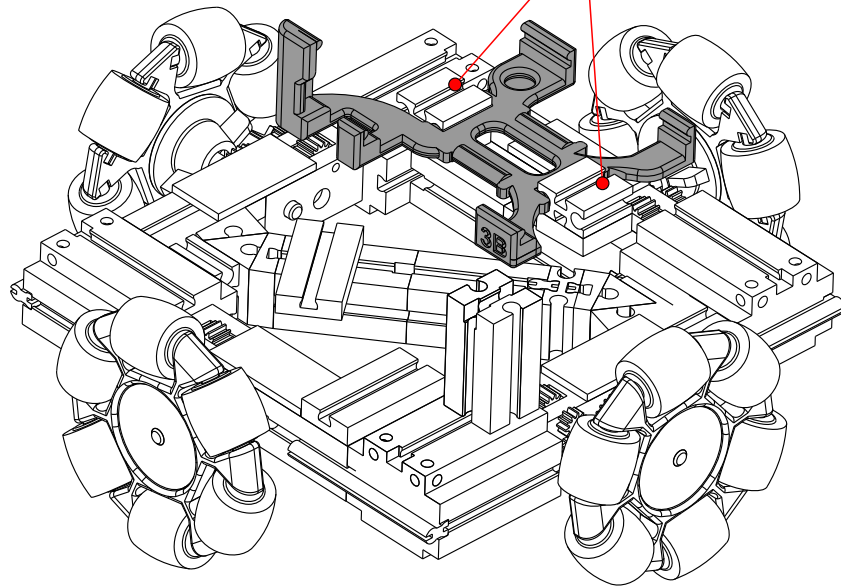
1x 35537 (not included)



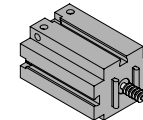


holder for Raspberry Pi F5/T5

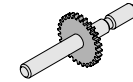
adjust the distance of this parts (37468) and mount holder



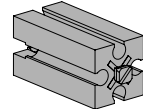
4x 31078



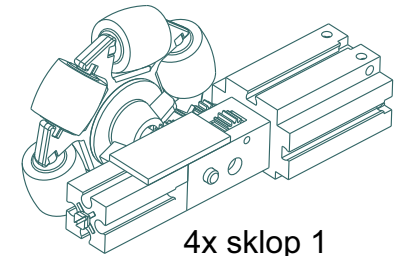
4x 32293



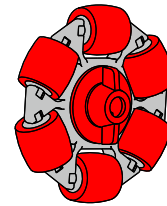
4x 31064



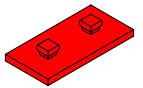
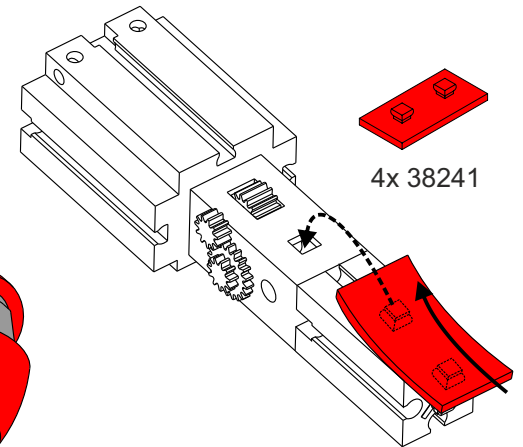
4x 32879



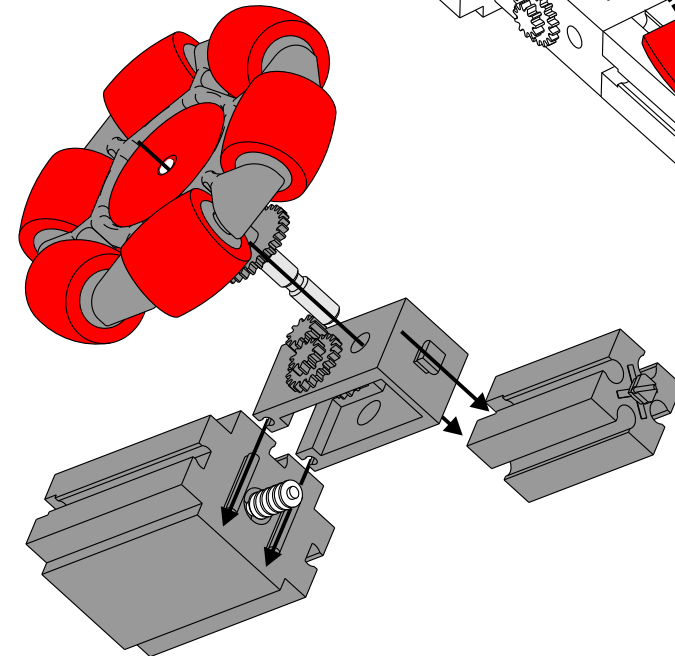
4x sklop 1



4x omni kotač



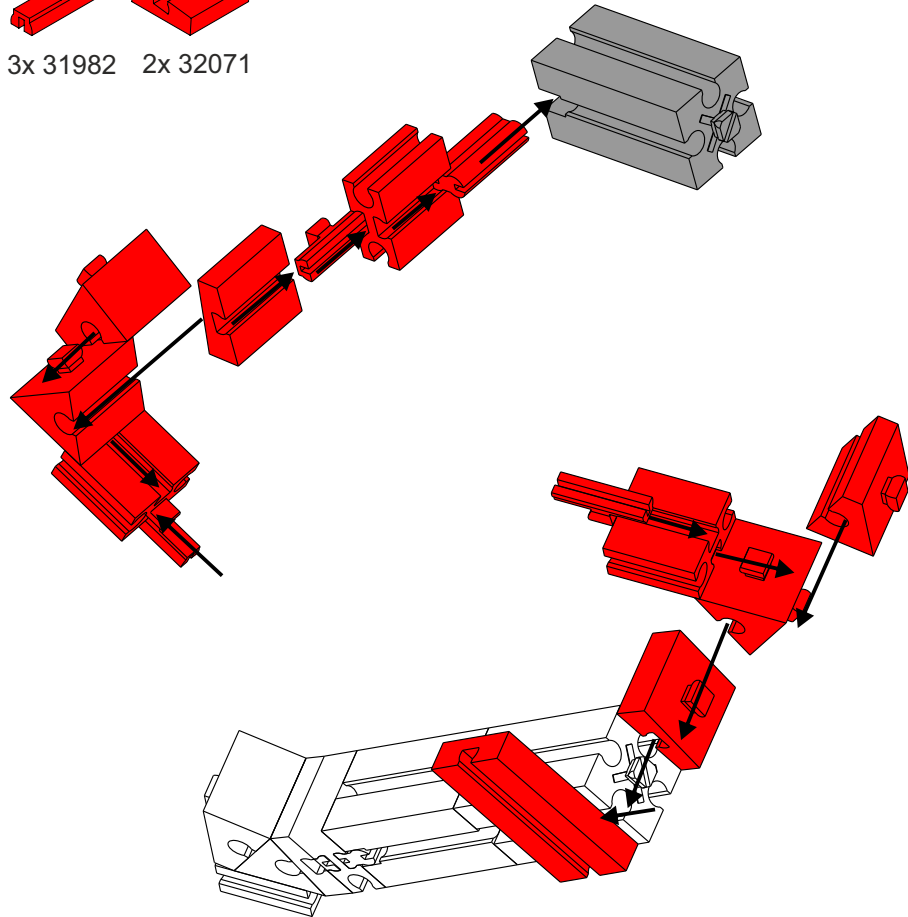
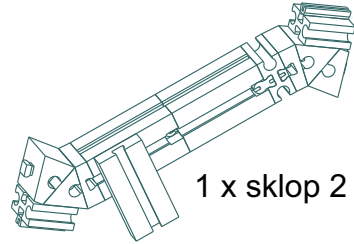
4x 38241



# OMNI CAR - Raspberry Pi

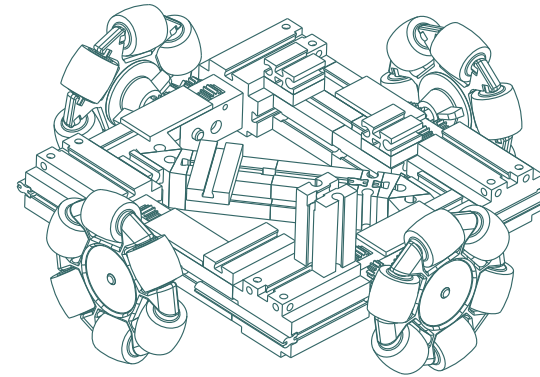
2

- 3x 37468
- 2x 31011 30°
- 2x 31010 60°
- 2x 32879
- 1x 31060
- 1x 35049 7,5°
- 3x 31982
- 2x 32071

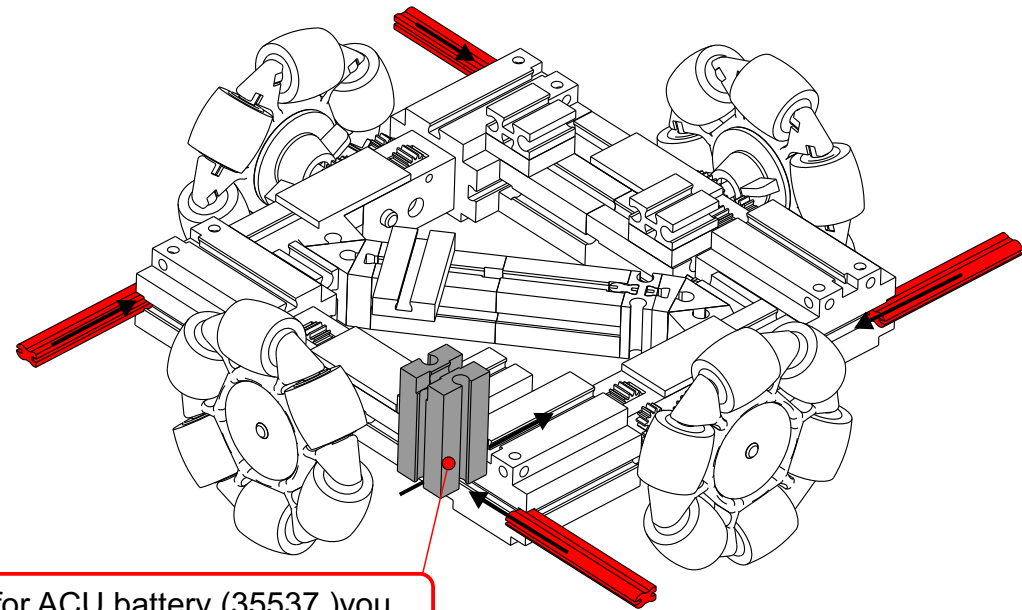


# OMNI CAR - Raspberry Pi

7



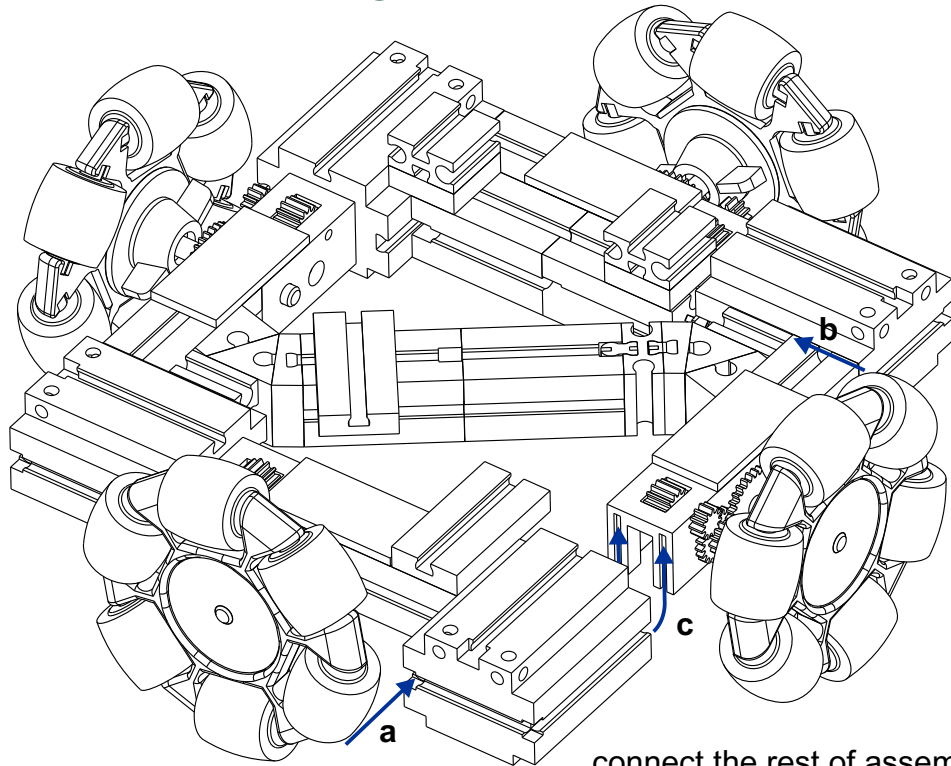
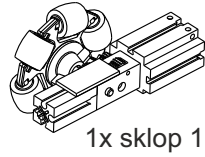
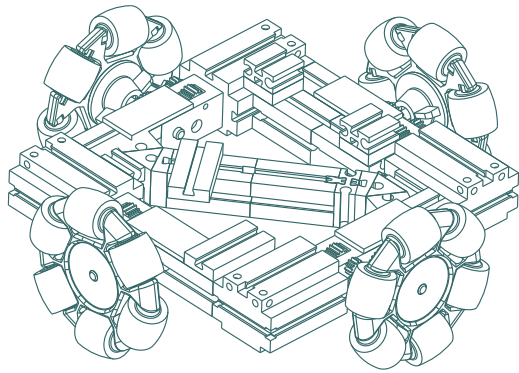
- 1x 32879
- 4x 31330



for ACU battery (35537 )you need mount this part (32879)

# OMNI CAR - Raspberry Pi

2



disconnect the motor from assembly 1 and connect it to the construction (a)

connect the rest of assembly 1 to construction (b) and then a little bend the structure and join gearbox with motor (c)

# OMNI CAR - Raspberry Pi

3

## SKLAPANJE

